

General description

LedBruk Driveway Luminaire is designated to lighting the building elevation or garden space. The luminaire has airtightness IP67. In the base version LedBruk driveway luminaire is equipped with RGB diodes or monochrome versions (warm white, cold white) with a 90 degree illumination angle and 5W power. In addition to the "mono" version, the luminaire is also available in the RGB+W option with 7W power with an additional color change function. Depends of appliance are available LED 12 V drivers and 12 V power supplies for cooperation with the luminaire.

Safety conditions

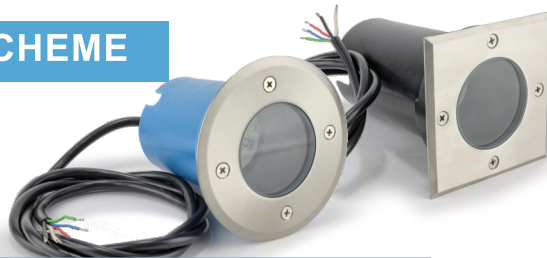
Warning! Before installing, connecting, using and servicing, it is imperative read this document.

LedBruk luminaire is a device powered with 12V safe voltage, but during its installation and use it is imperative to follow the rules given below:

- Installation of the luminaire should be done by a person with appropriate permissions, as described in the instructions.
- The device may only be connected to controllers and power supplies suggested by the manufacturer. Using the accessories suggested by the manufacturer LedBruk, the warranty is extended from standard 24 to 48 months (Accessories included in the current Price List LedBruk Sp. z o.o.)
- All wires must be protected against mechanical and thermal damage.
- If any of the wires are damaged, it must be replaced with wires with the same technical data and approvals.
- All repairs may only be done with power disconnected.
- Wait 5 minutes after switching off the device before carrying out any servicing.
- Do not connect the device with visible damage to the power supply.
- Avoid sudden shocks, especially dropouts.
- The device can be installed and used in accordance with the conditions contained in this manual, as well as applicable standards and regulations not mentioned in this document.

Setup - dismantling the luminaires

In order to setup the luminaire, follow the description below, trying to disassemble the components in such a way that the order of their reassembly does not raise any doubts. It is particularly important to correctly arrange the oring sealing the IP67 hermetic box - the gasket should properly adhere to the designated socket. Do not use mechanically damaged gaskets in no case.



Dedicated installation wires

Each color version of the LedBruk luminaire has a dedicated installation wire that guarantees durability and tightness of the installation, specification of dedicated wires below. The wires available in current LedBruk Price list.

- RGB+W version – dedicated wire PDZ-RGBW LedBruk 3*0,5 mm² and 2*1,5 mm²
- W monochrome white version – dedicated wire PDZ-W LedBruk 2*1,5 mm²

Ground preparation



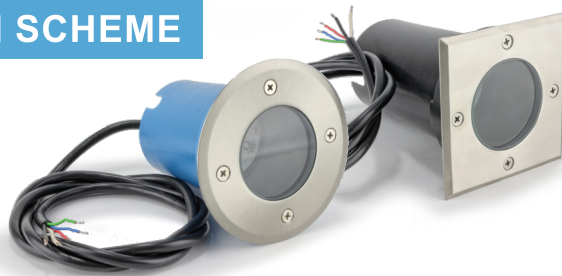
Laying the 12V installation



We should start installing the luminaire by placing a dedicated installation wire in the ballast of a paving block, in a place where the wire will not be exposed to mechanical damage.

The pictures show an example of the wire routing. The luminaires are powered by a stabilized 12V voltage – to avoid voltage drops on connections and on the wire, we suggest looping/returning to a controller or dimmer.

INSTALLATION SCHEME



LedBruk

RGBW

LedBruk Driveway Luminaire

Tight connection of wires



Hermetic box ideal for making electrical connections and their proper protection against moisture and weather conditions. It works very well at low voltage connections. The boxes have an IP67 tightness class (Department of Research and Attestation Zetom Katowice certificate). They enable the introduction of wires with a diameter outside the insulation cover from 4 to 9mm. Thanks to its compact and small dimensions it does not take up much space.

In boxes you can use different types of connectors for wires: screwed connectors, self-locking or other. The boxes give permanent protection against moisture, by using high quality materials and they are very easy to setup.



WAGO[®]



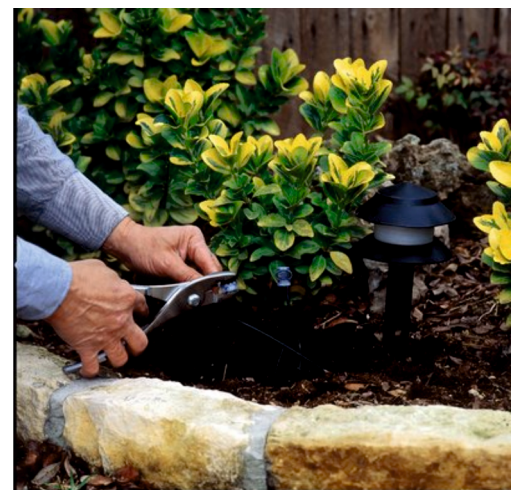
Alternative ways of connecting wires

Gelled 3x 0.5-1,5 Scotchluk 316 IR connector from the renowned 3M company is an alternative way of connecting the luminaires.

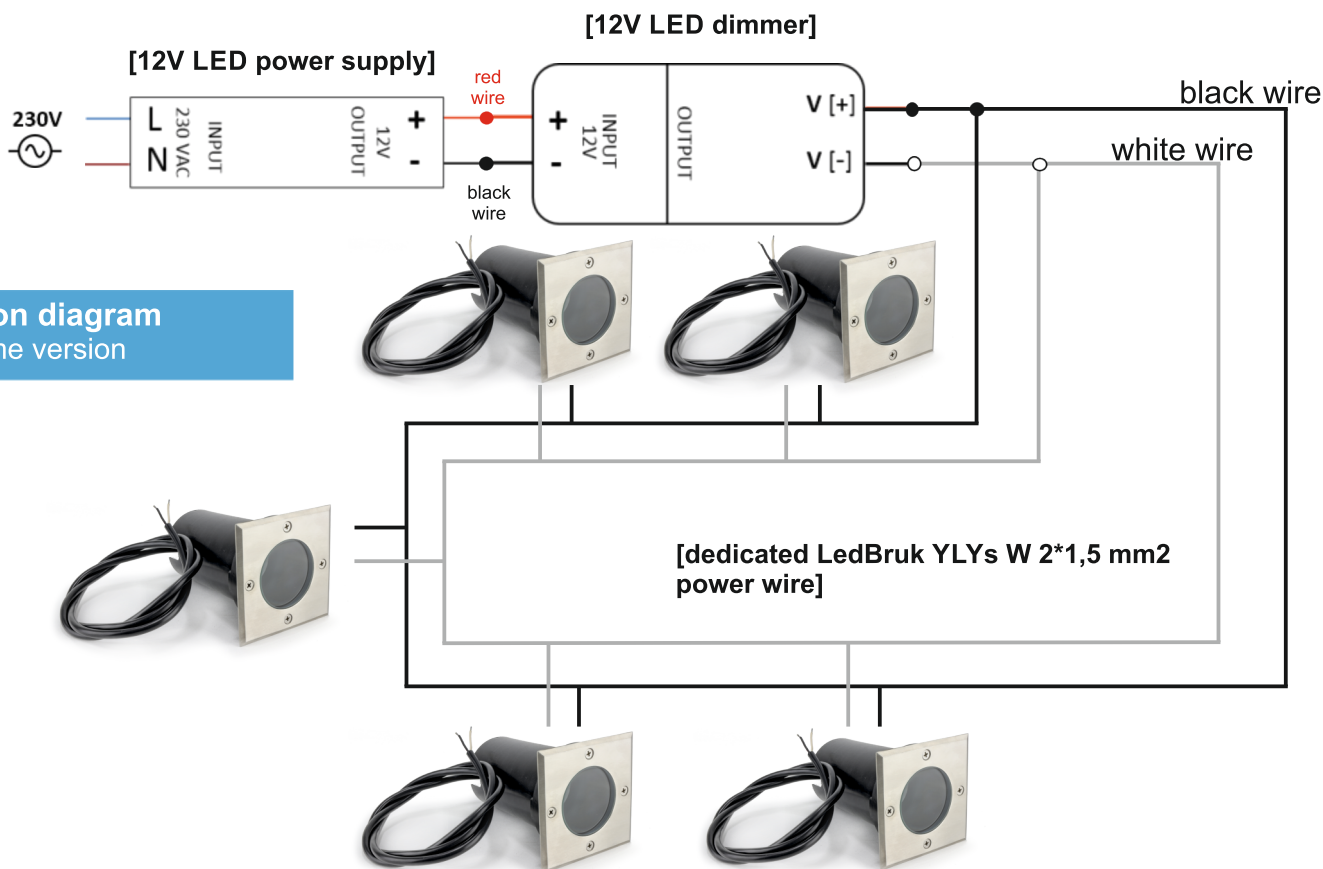
Connection via 3M connectors allows to obtain equally tight connection at IP67 level. Specification: for connecting flexible wires, rated voltage (600V).

Main features: for connecting, servicing and terminating wires, easy and quick installation, resistance to moisture.

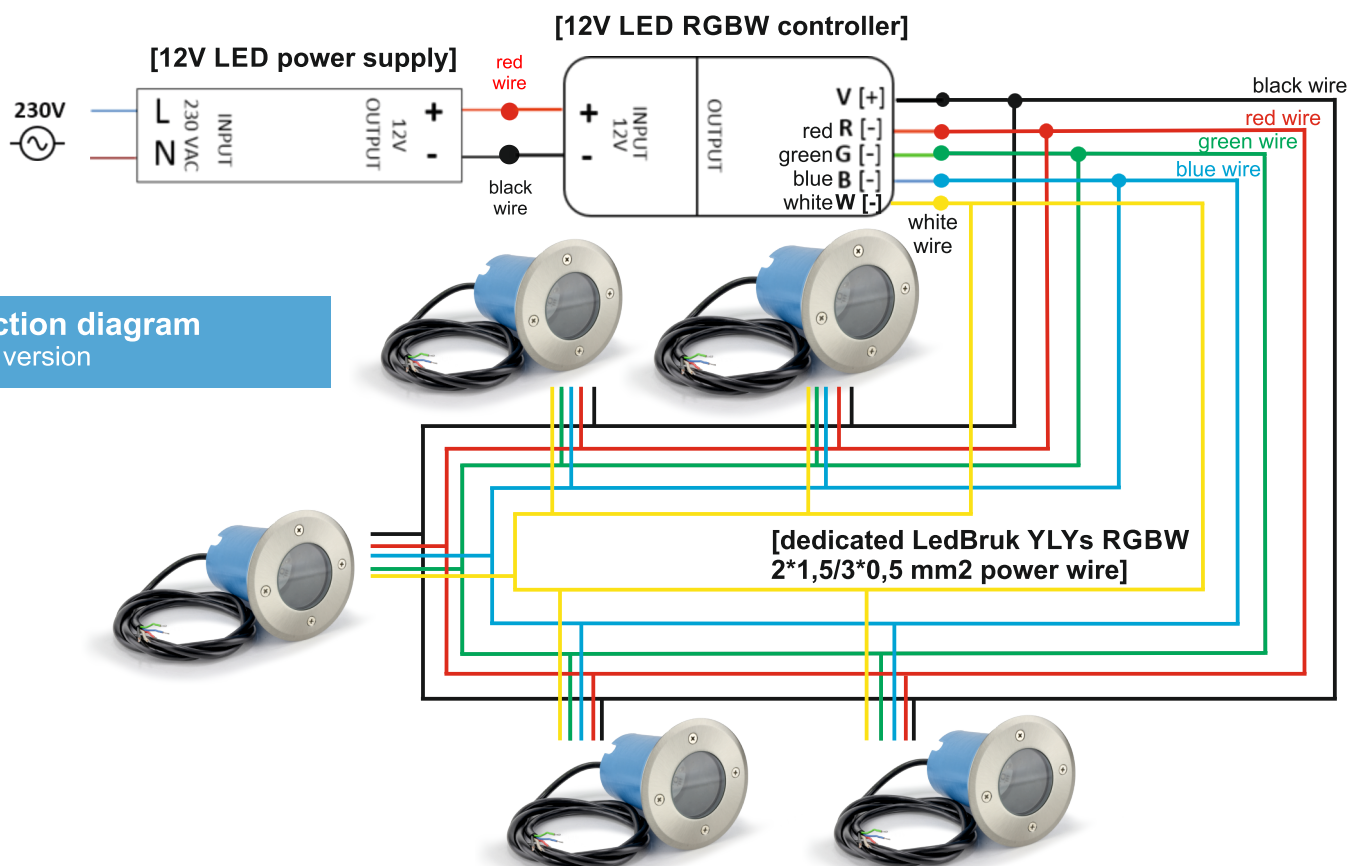
3M



Connection diagram
monochrome version



Connection diagram
RGB+W version



The diagram shows the connection to the electrical system of the LedBruk lighting system in a monochromatic version in warm white or cold white (picture 1). Marking of wires (+) black / (-) white.

4 RGB+W version luminaire color change with additional monochrome diodes (picture 2) has marking of wires as follow: (+) black / (-) white / (-) red / (-) green / (-) blue.